



*Motion*Systems

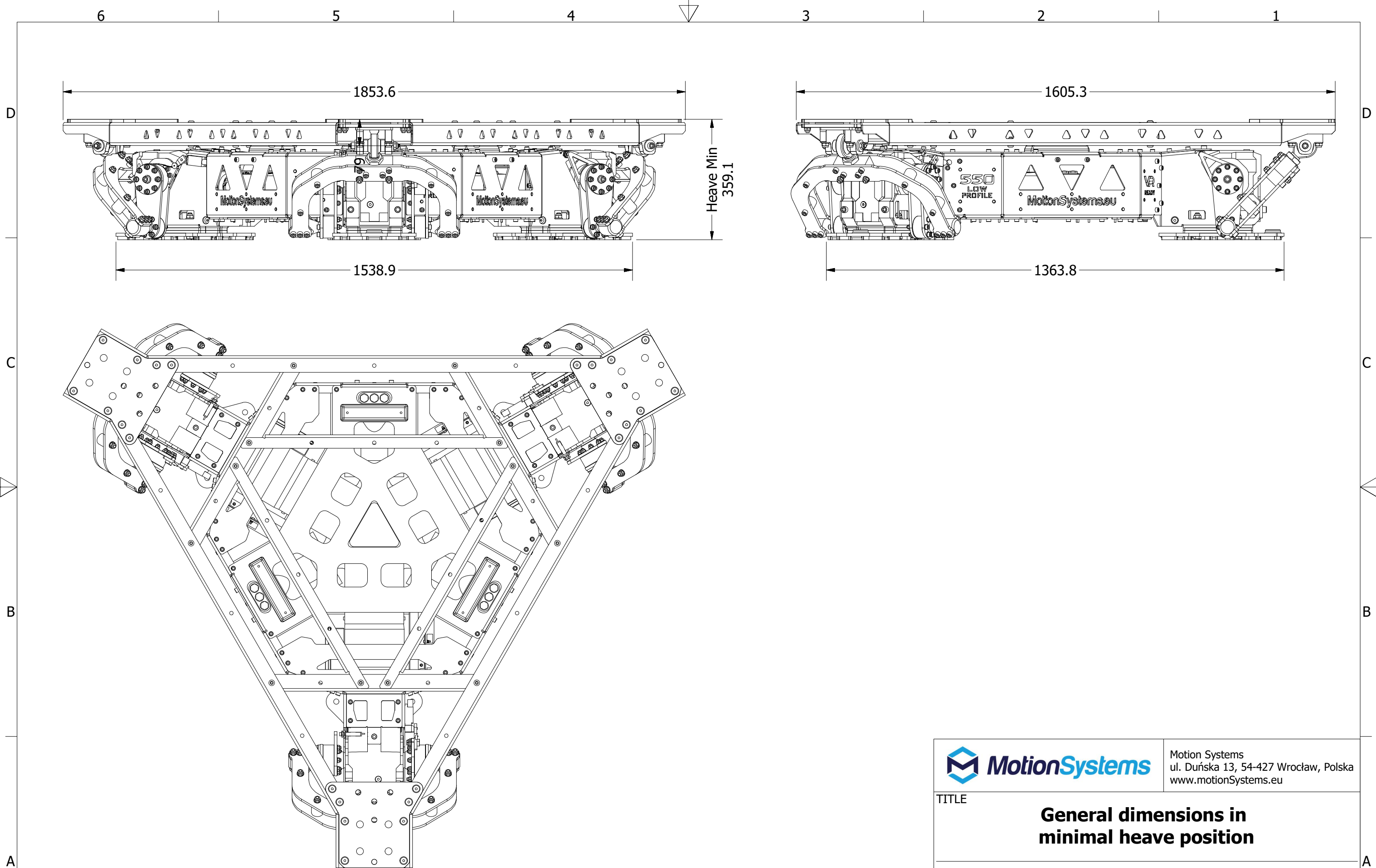
Technical documentation
PS-3TM-LP550
General dimensions

RESERVED AND CONFIDENTIAL


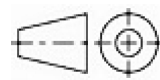
THE INFORMATION CONTAINED IN THIS DOCUMENTATION IS PROPERTY OF MOTION SYSTEMS COMPANY. ANY REPRODUCTION OF PARTS OR WHOLE WITHOUT WRITTEN PERMISSION IS PROHIBITED.

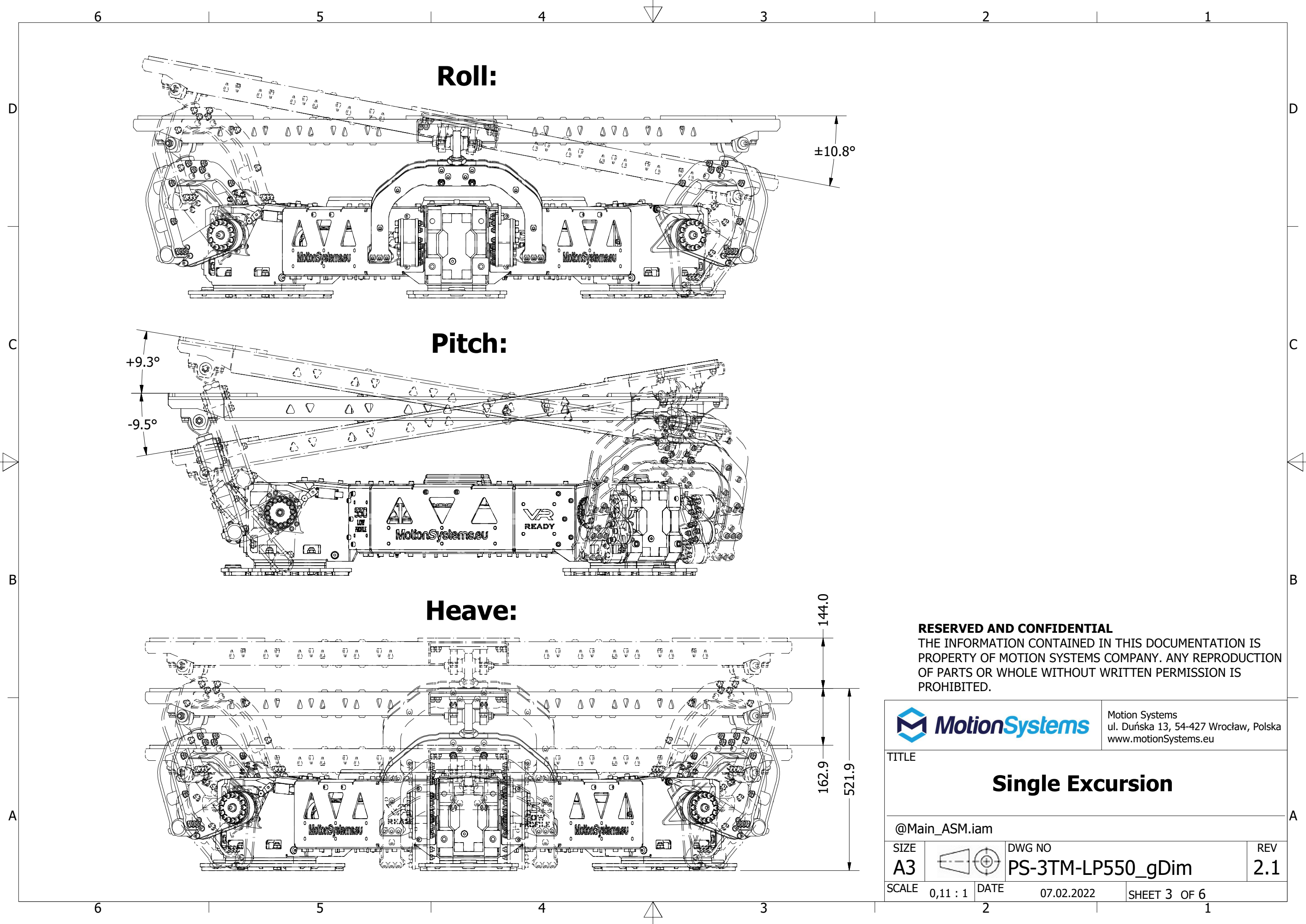
ZATRZEŻONE I POUFNE

INFORMACJE ZAWARTE W TEJ DOKUMENTACJI SĄ WŁASNOŚCIĄ FIRMY MOTION SYSTEMS. WSZELKIE REPRODUKCJE CZĘŚCI LUB CAŁOŚCI BEZ PISEMNEJ ZGODY SĄ ZABRONIONE.



RESERVED AND CONFIDENTIAL
 THE INFORMATION CONTAINED IN THIS DOCUMENTATION IS
 PROPERTY OF MOTION SYSTEMS COMPANY. ANY REPRODUCTION
 OF PARTS OR WHOLE WITHOUT WRITTEN PERMISSION IS
 PROHIBITED.

		Motion Systems ul. Duńska 13, 54-427 Wrocław, Polska www.motionSystems.eu	
TITLE <p style="text-align: center;">General dimensions in minimal heave position</p>			
@Main_ASM.iam			
SIZE A3		DWG NO PS-3TM-LP550_gDim	REV 2.1
SCALE 0,10 : 1	DATE 07.02.2022	SHEET 2 OF 6	



Roll:

±10.8°

Pitch:

+9.3°

-9.5°


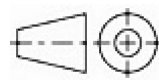
Heave:

144.0

162.9

521.9

RESERVED AND CONFIDENTIAL
 THE INFORMATION CONTAINED IN THIS DOCUMENTATION IS
 PROPERTY OF MOTION SYSTEMS COMPANY. ANY REPRODUCTION
 OF PARTS OR WHOLE WITHOUT WRITTEN PERMISSION IS
 PROHIBITED.

		Motion Systems ul. Duńska 13, 54-427 Wrocław, Polska www.motionSystems.eu	
TITLE			
<h2>Single Excursion</h2>			
@Main_ASM.iam			
SIZE		DWG NO	REV
A3		PS-3TM-LP550_gDim	2.1
SCALE	0,11 : 1	DATE	07.02.2022
		SHEET 3 OF 6	

6

5

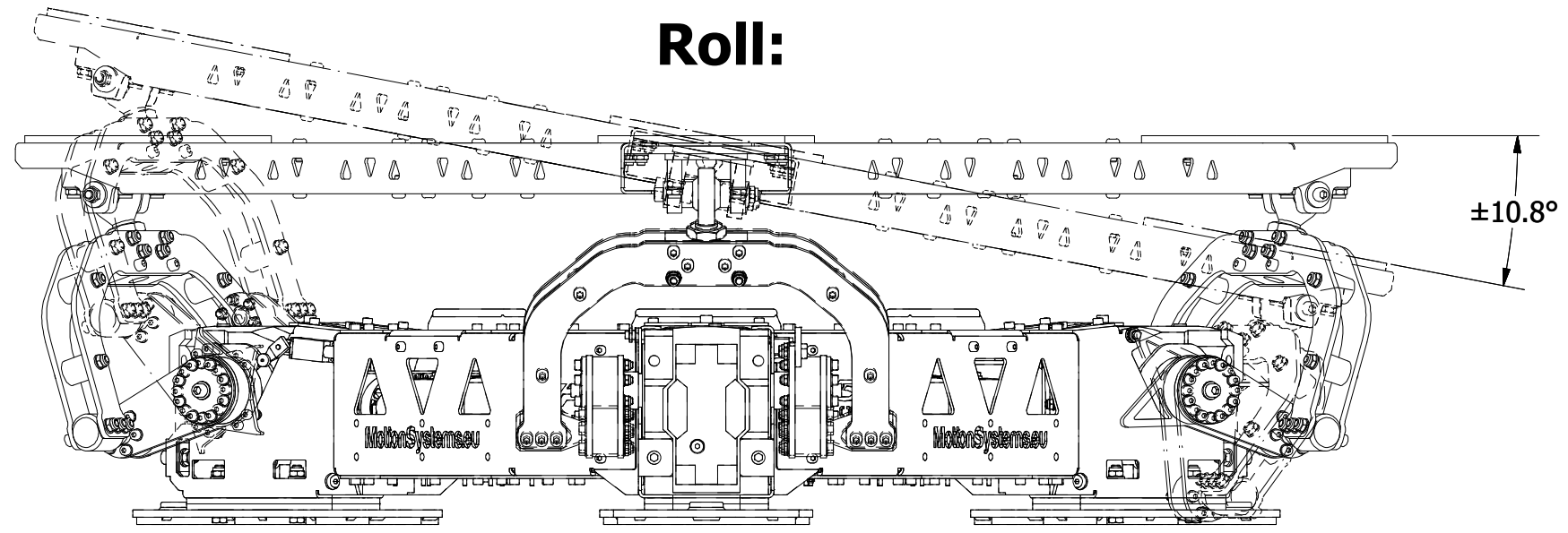
4

3

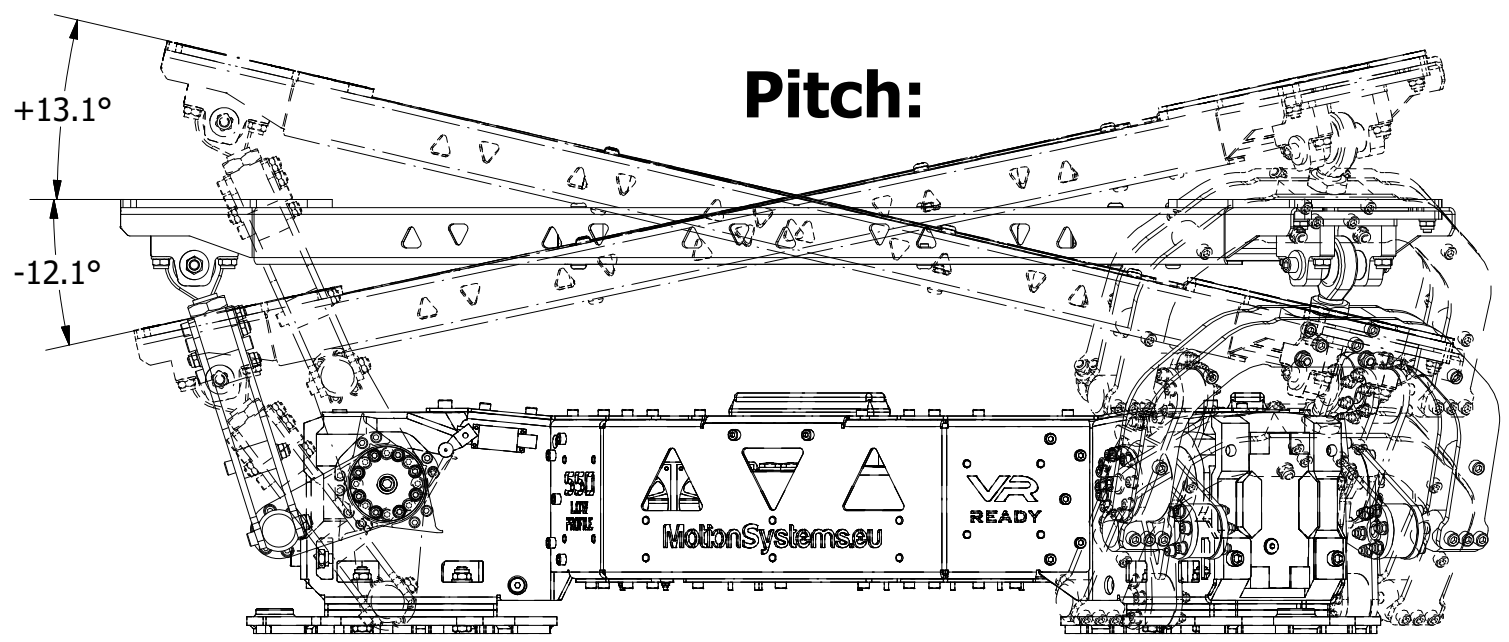
2

1

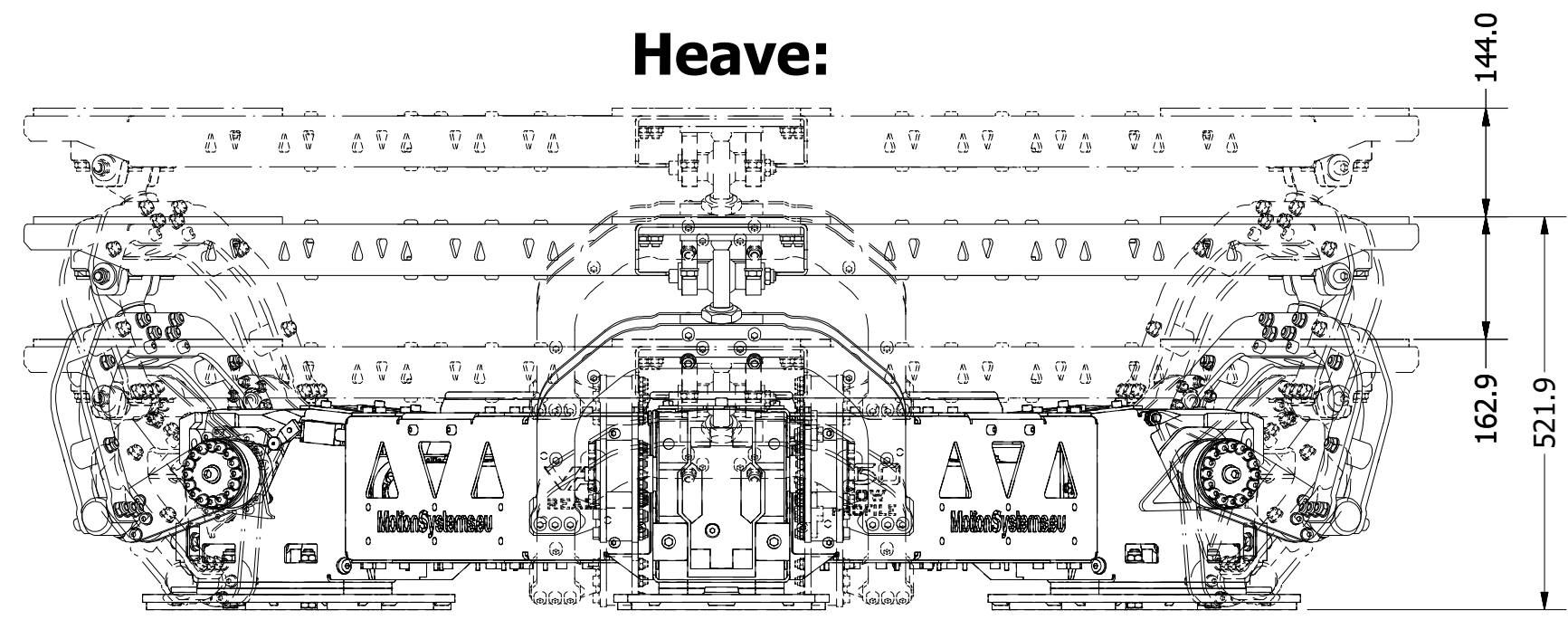
Roll:



Pitch:



Heave:



RESERVED AND CONFIDENTIAL
 THE INFORMATION CONTAINED IN THIS DOCUMENTATION IS
 PROPERTY OF MOTION SYSTEMS COMPANY. ANY REPRODUCTION
 OF PARTS OR WHOLE WITHOUT WRITTEN PERMISSION IS
 PROHIBITED.



Motion Systems
 ul. Duńska 13, 54-427 Wrocław, Polska
 www.motionSystems.eu

TITLE
Maximum Excursion

@Main_ASM.iam

SIZE A3	DWG NO PS-3TM-LP550_gDim	REV 2.1
-------------------	------------------------------------	-------------------

SCALE 0,11 : 1	DATE 07.02.2022	SHEET 4 OF 6
-------------------	--------------------	--------------

6

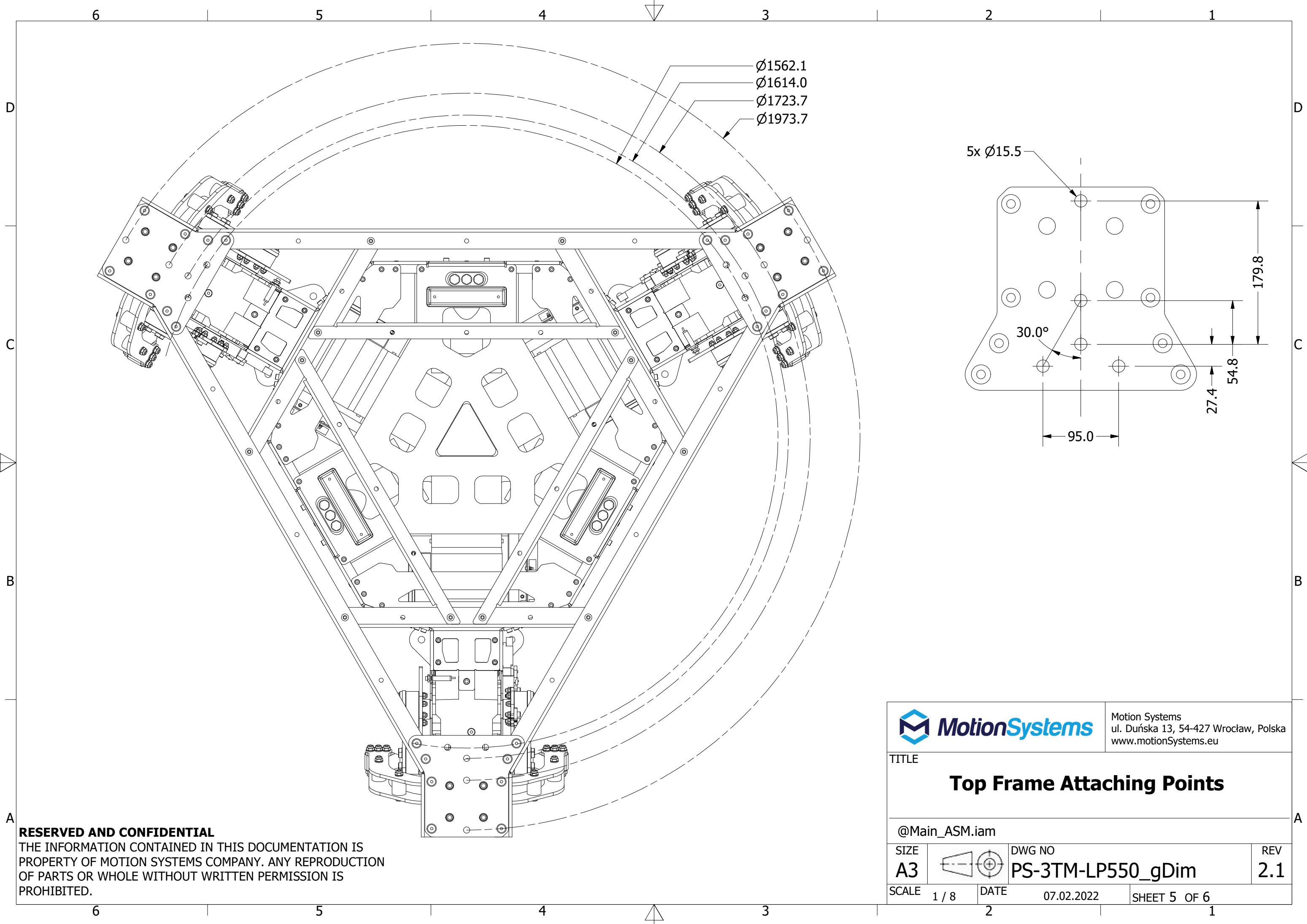
5

4


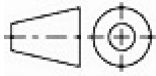
3

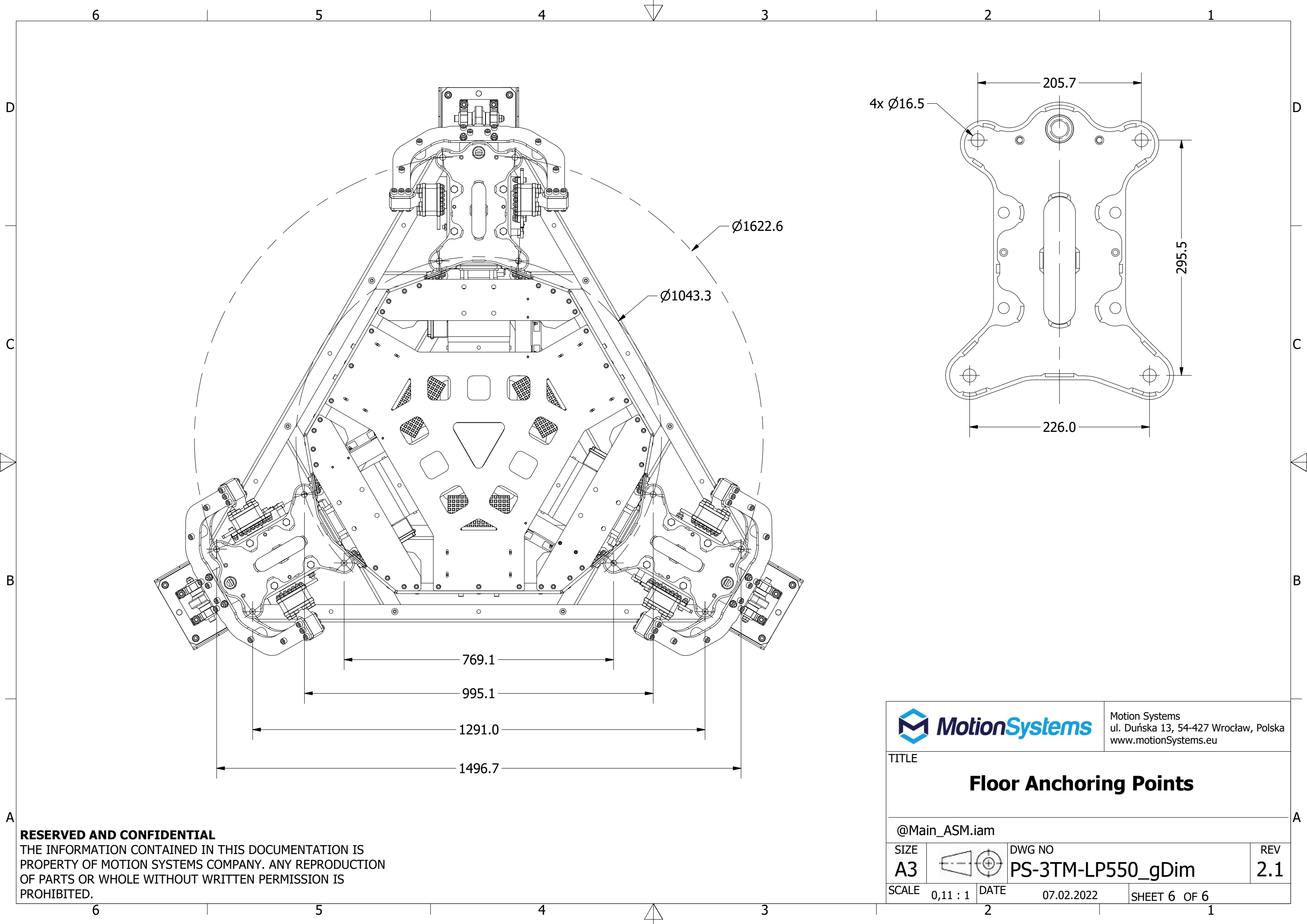
2

1


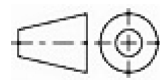


RESERVED AND CONFIDENTIAL
 THE INFORMATION CONTAINED IN THIS DOCUMENTATION IS
 PROPERTY OF MOTION SYSTEMS COMPANY. ANY REPRODUCTION
 OF PARTS OR WHOLE WITHOUT WRITTEN PERMISSION IS
 PROHIBITED.

		Motion Systems ul. Duńska 13, 54-427 Wrocław, Polska www.motionSystems.eu	
TITLE			
Top Frame Attaching Points			
@Main_ASM.iam			
SIZE		DWG NO	REV
A3		PS-3TM-LP550_gDim	2.1
SCALE	1 / 8	DATE	07.02.2022
		SHEET 5 OF 6	



RESERVED AND CONFIDENTIAL
 THE INFORMATION CONTAINED IN THIS DOCUMENTATION IS
 PROPERTY OF MOTION SYSTEMS COMPANY. ANY REPRODUCTION
 OF PARTS OR WHOLE WITHOUT WRITTEN PERMISSION IS
 PROHIBITED.

		Motion Systems ul. Duńska 13, 54-427 Wrocław, Polska www.motionSystems.eu	
TITLE			
Floor Anchoring Points			
@Main_ASM.iam			
SIZE		DWG NO	REV
A3		PS-3TM-LP550_gDim	2.1
SCALE	0,11 : 1	DATE	07.02.2022
		SHEET 6 OF 6	