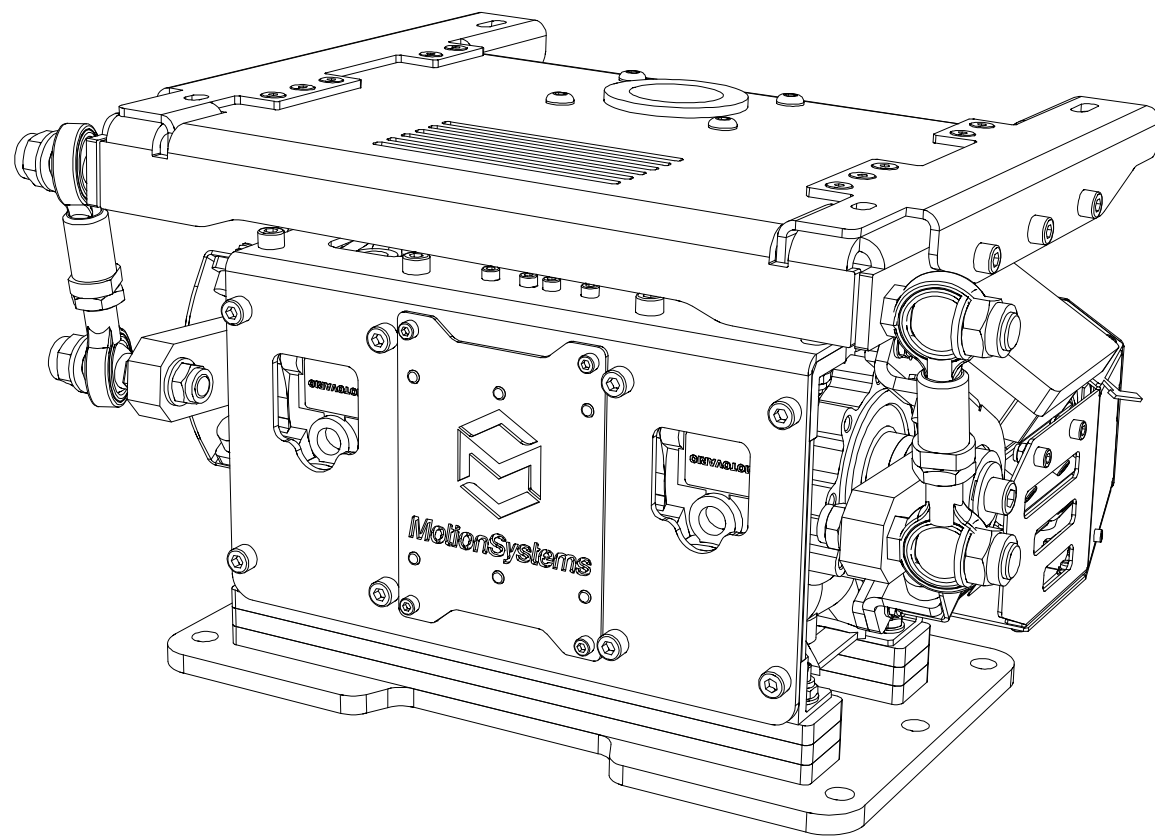


Motion Systems

Dokumentacja techniczna urządzenia
PS-2RM-150

General Dimensions and Motion Characteristics

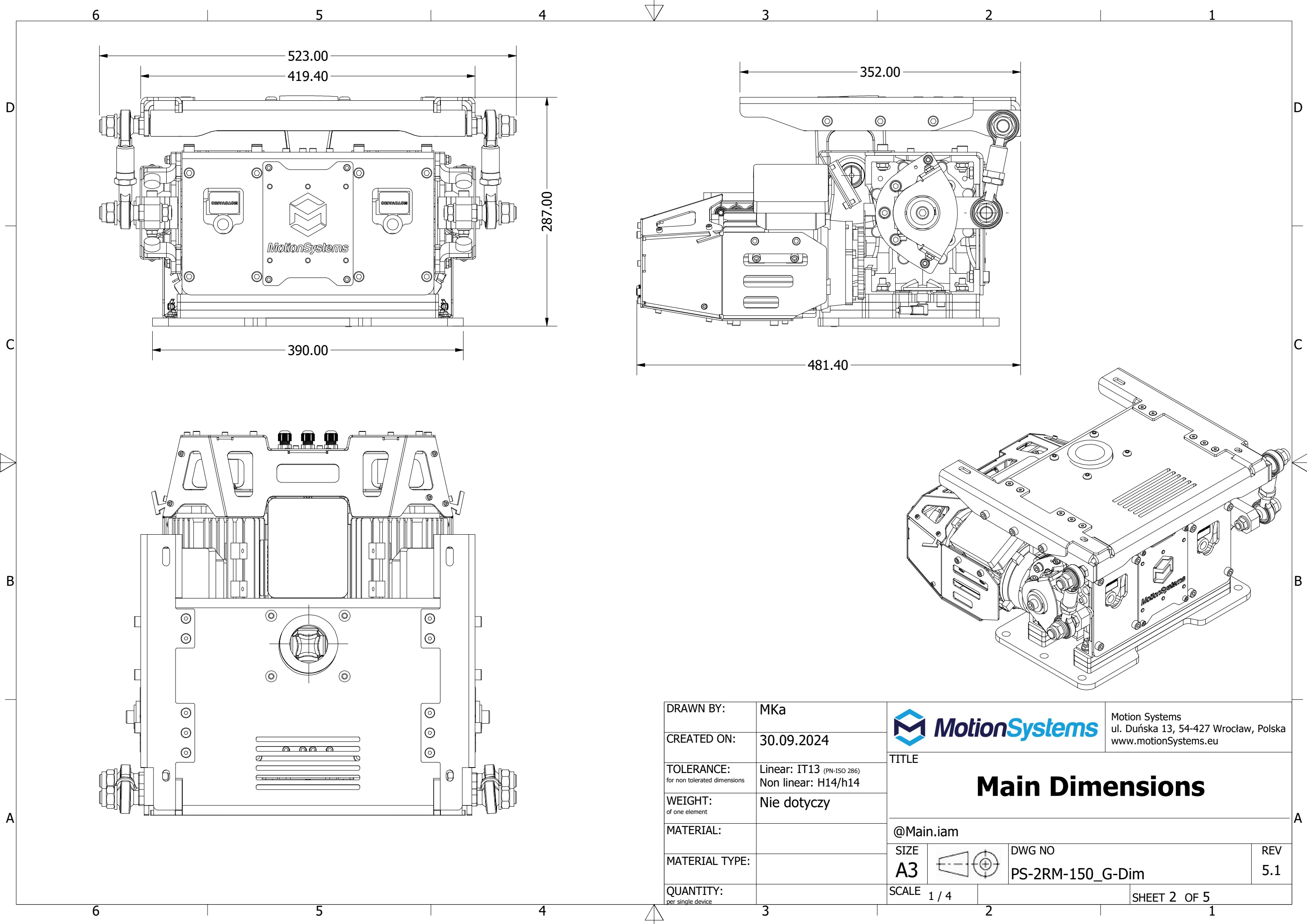


RESERVED AND CONFIDENTIAL

THE INFORMATION CONTAINED IN THIS DOCUMENTATION IS PROPERTY OF MOTION SYSTEMS COMPANY. ANY REPRODUCTION OF PARTS OR WHOLE WITHOUT WRITTEN PERMISSION IS PROHIBITED.

ZATRZEŻONE I POUFNE

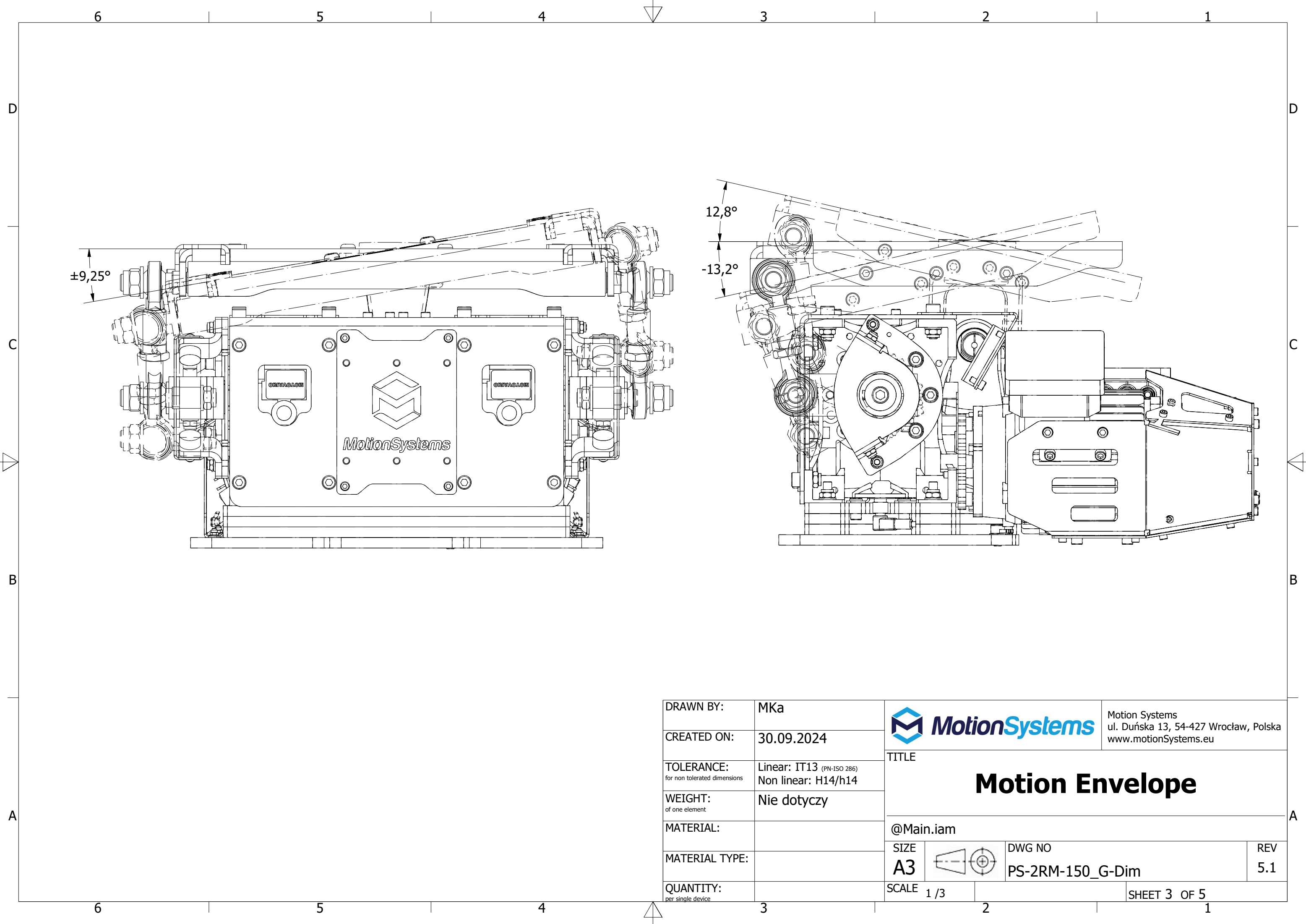
INFORMACJE ZAWARTE W TEJ DOKUMENTACJI SĄ WŁASNOŚCIĄ FIRMY MOTION SYSTEMS. WSZELKIE REPRODUKCJE CZĘŚCI LUB CAŁOŚCI BEZ PISEMNEJ ZGODY SĄ ZABRONIONE.


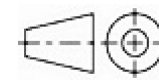


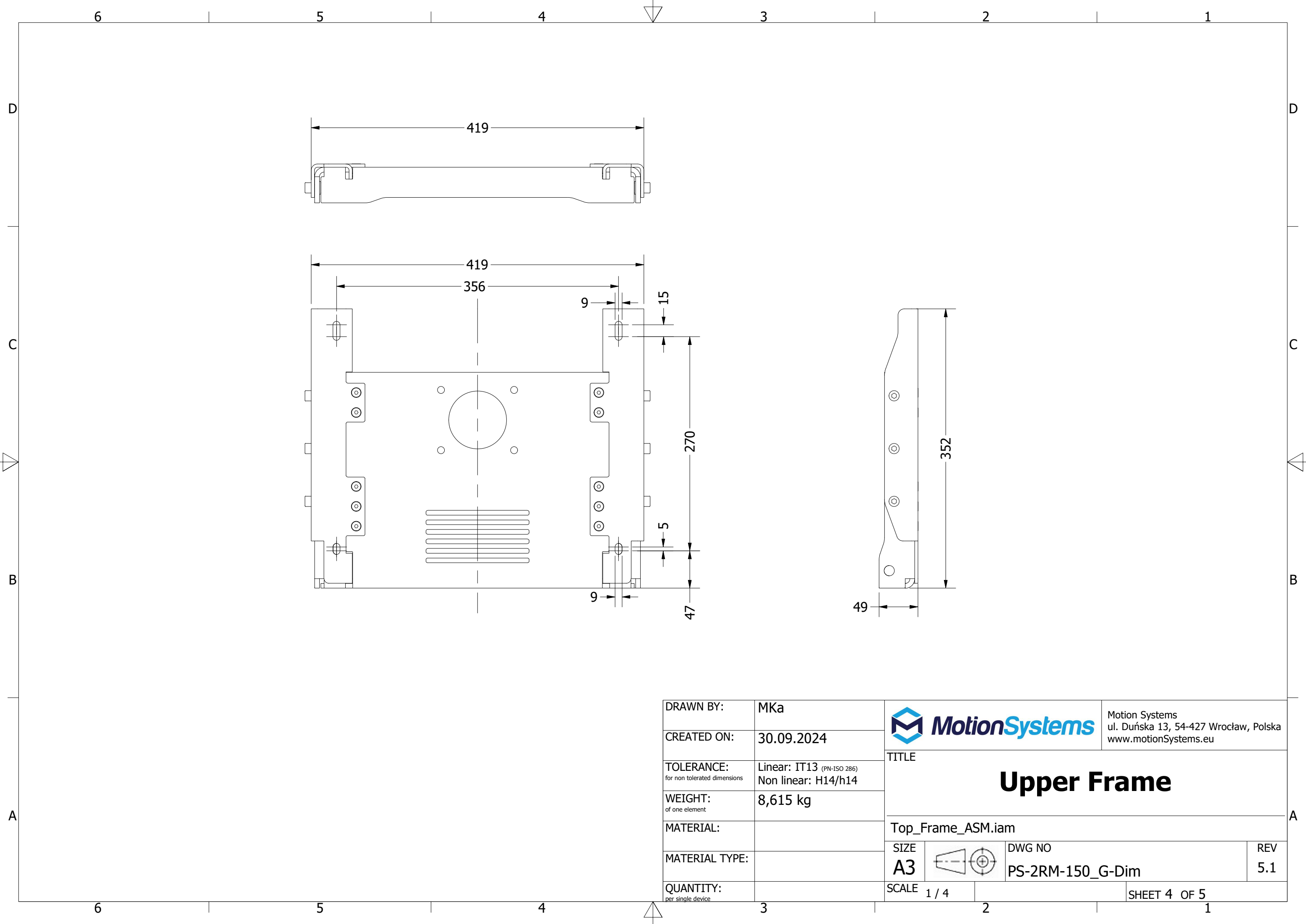
DRAWN BY:	MKa
CREATED ON:	30.09.2024
TOLERANCE: <small>for non tolerated dimensions</small>	Linear: IT13 (PN-ISO 286) Non linear: H14/h14
WEIGHT: <small>of one element</small>	Nie dotyczy
MATERIAL:	
MATERIAL TYPE:	
QUANTITY: <small>per single device</small>	


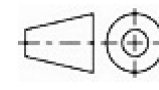

MotionSystems
 Motion Systems
 ul. Duńska 13, 54-427 Wrocław, Polska
www.motionSystems.eu

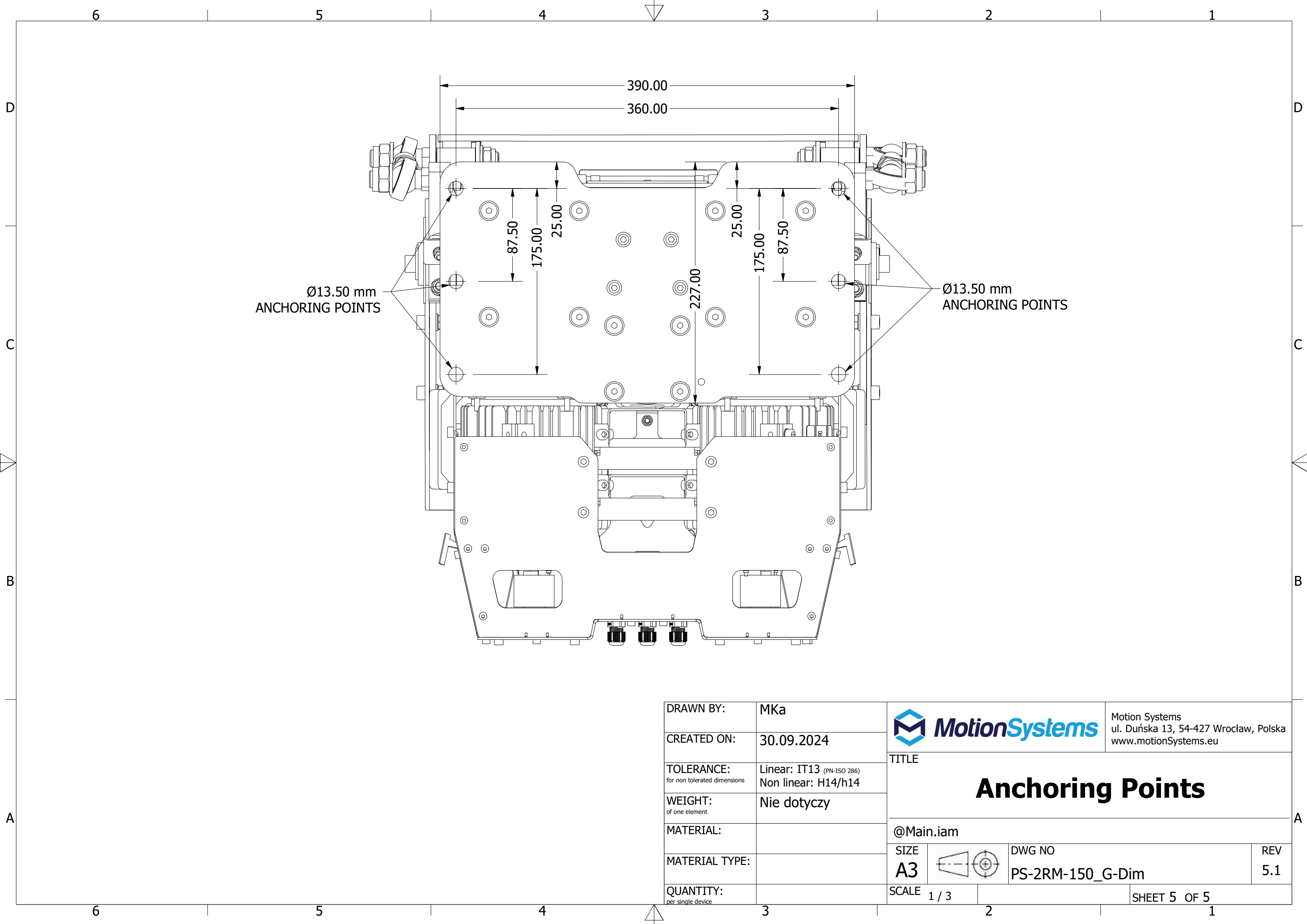
TITLE		<h1>Main Dimensions</h1>	
@Main.iam			
SIZE	DWG NO	REV	
A3	PS-2RM-150_G-Dim	5.1	
SCALE	SHEET 2 OF 5		
1 / 4			




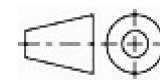
DRAWN BY:	MKa	 Motion Systems ul. Duńska 13, 54-427 Wrocław, Polska www.motionSystems.eu
CREATED ON:	30.09.2024	
TOLERANCE: <small>for non tolerated dimensions</small>	Linear: IT13 (PN-ISO 286) Non linear: H14/h14	Motion Envelope
WEIGHT: <small>of one element</small>	Nie dotyczy	
MATERIAL:		@Main.iam
MATERIAL TYPE:		SIZE A3  DWG NO PS-2RM-150_G-Dim REV 5.1
QUANTITY: <small>per single device</small>		SCALE 1/3 SHEET 3 OF 5



DRAWN BY:	MKa	 Motion Systems ul. Duńska 13, 54-427 Wrocław, Polska www.motionSystems.eu
CREATED ON:	30.09.2024	
TOLERANCE: <small>for non tolerated dimensions</small>	Linear: IT13 (PN-ISO 286) Non linear: H14/h14	Upper Frame
WEIGHT: <small>of one element</small>	8,615 kg	
MATERIAL:		Top_Frame_ASM.iam
MATERIAL TYPE:		SIZE A3  DWG NO PS-2RM-150_G-Dim REV 5.1
QUANTITY: <small>per single device</small>		SCALE 1 / 4 SHEET 4 OF 5



DRAWN BY:	MKa
CREATED ON:	30.09.2024
TOLERANCE: <small>for non tolerated dimensions</small>	Linear: IT13 (PN-ISO 286) Non linear: H14/h14
WEIGHT: <small>of one element</small>	Nie dotyczy
MATERIAL:	
MATERIAL TYPE:	
QUANTITY: <small>per single device</small>	

		Motion Systems ul. Duńska 13, 54-427 Wrocław, Polska www.motionSystems.eu	
TITLE			
<h1>Anchoring Points</h1>			
@Main.iam			
SIZE		DWG NO	REV
A3		PS-2RM-150_G-Dim	5.1
SCALE	1 / 3	SHEET 5 OF 5	