



MotionSystems

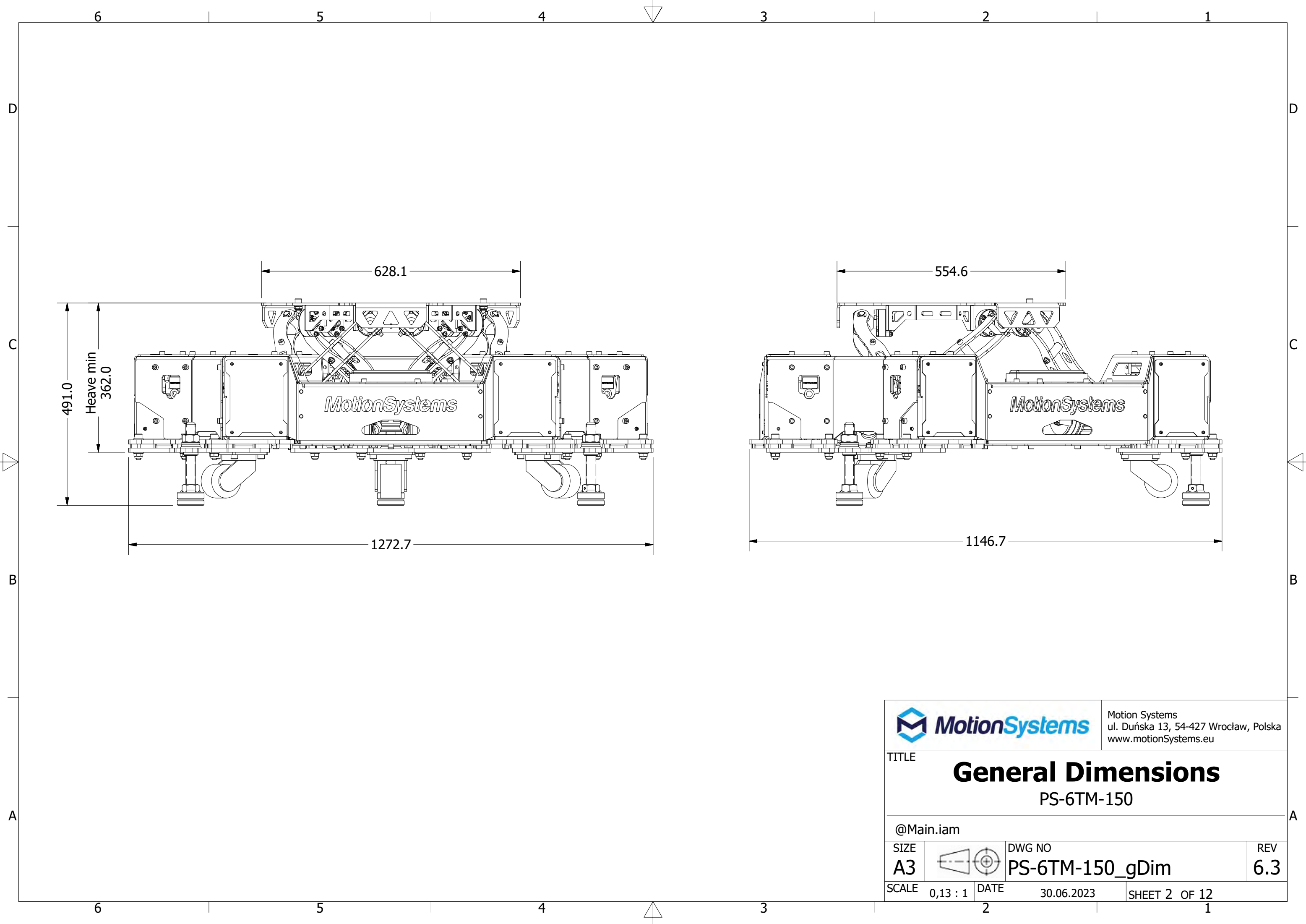
Technical documentation
PS-6TM-150
General dimensions


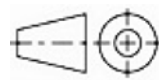
RESERVED AND CONFIDENTIAL

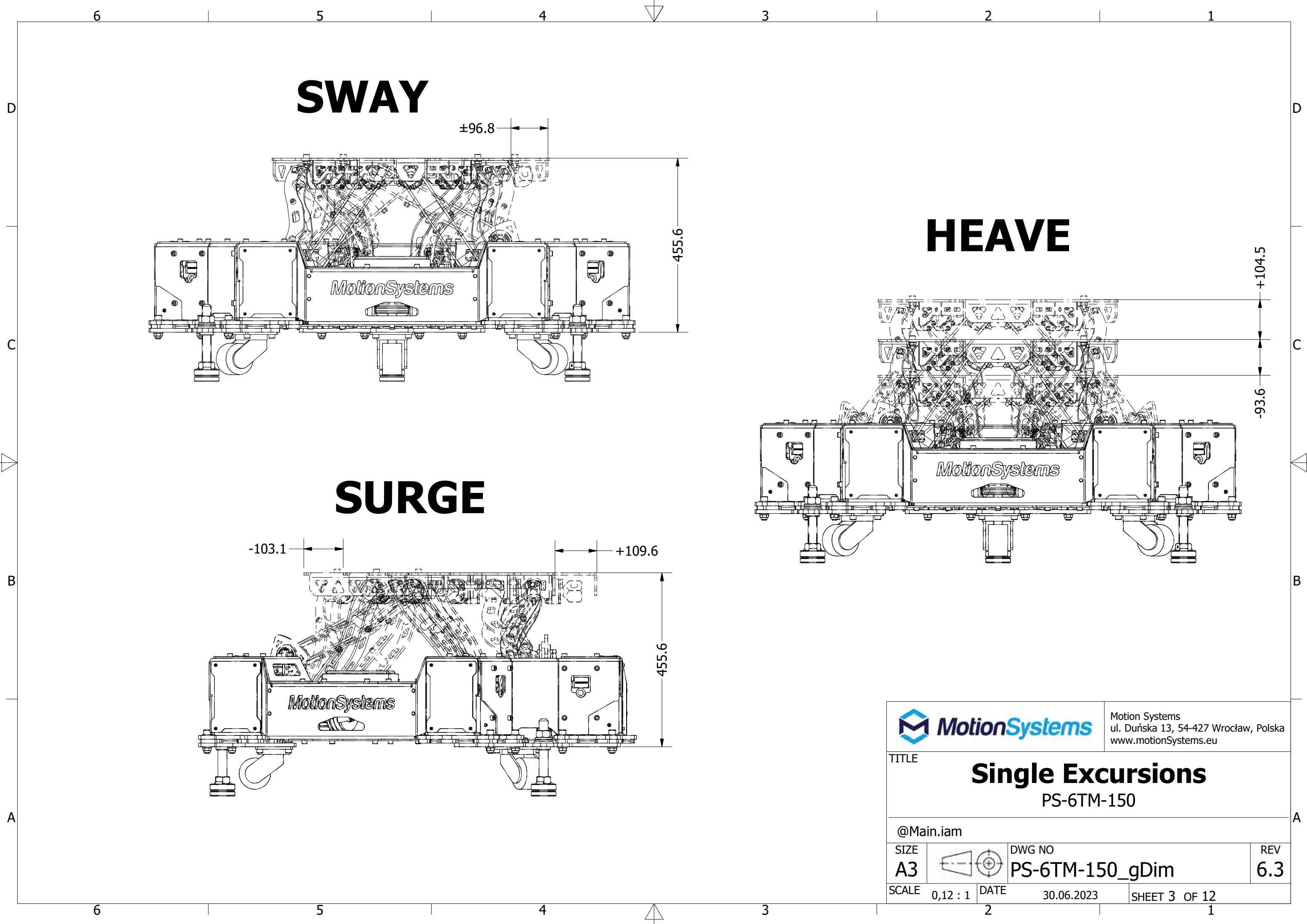
THE INFORMATION CONTAINED IN THIS DOCUMENTATION IS PROPERTY OF MOTION SYSTEMS COMPANY. ANY REPRODUCTION OF PARTS OR WHOLE WITHOUT WRITTEN PERMISSION IS PROHIBITED.

ZATRZEŻONE I POUFNE

INFORMACJE ZAWARTE W TEJ DOKUMENTACJI SĄ WŁASNOŚCIĄ FIRMY MOTION SYSTEMS. WSZELKIE REPRODUKCJE CZĘŚCI LUB CAŁOŚCI BEZ PISEMNEJ ZGODY SĄ ZABRONIONE.




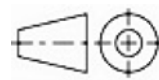
		Motion Systems ul. Duńska 13, 54-427 Wrocław, Polska www.motionSystems.eu	
TITLE General Dimensions PS-6TM-150			
@Main.iam			
SIZE A3		DWG NO PS-6TM-150_gDim	REV 6.3
SCALE 0,13 : 1	DATE 30.06.2023	SHEET 2 OF 12	



SWAY

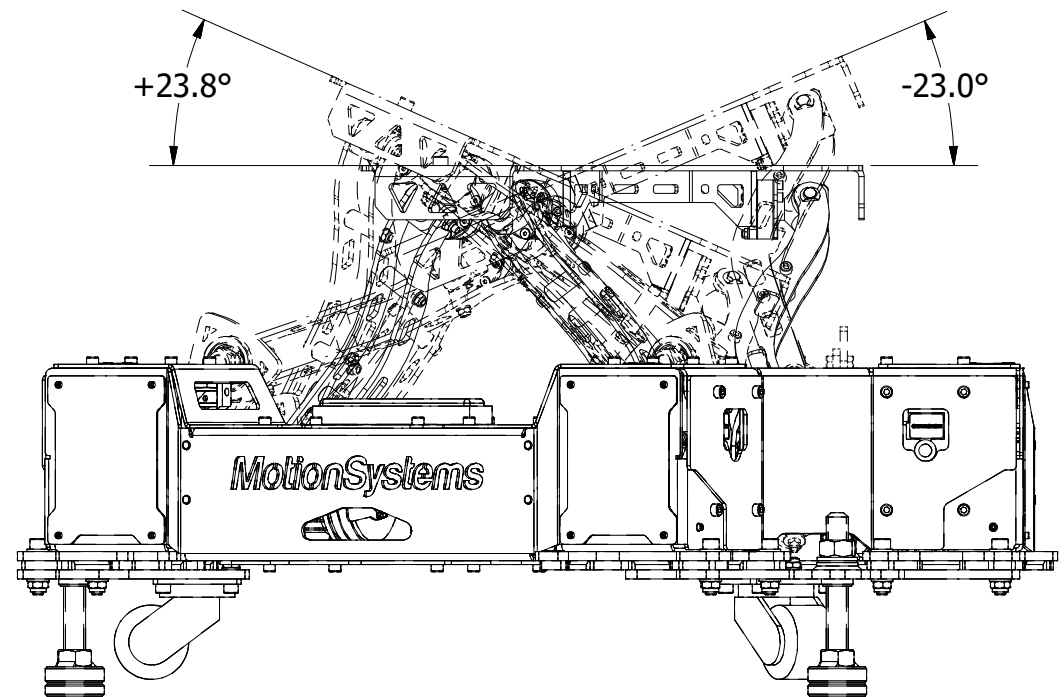
HEAVE

SURGE

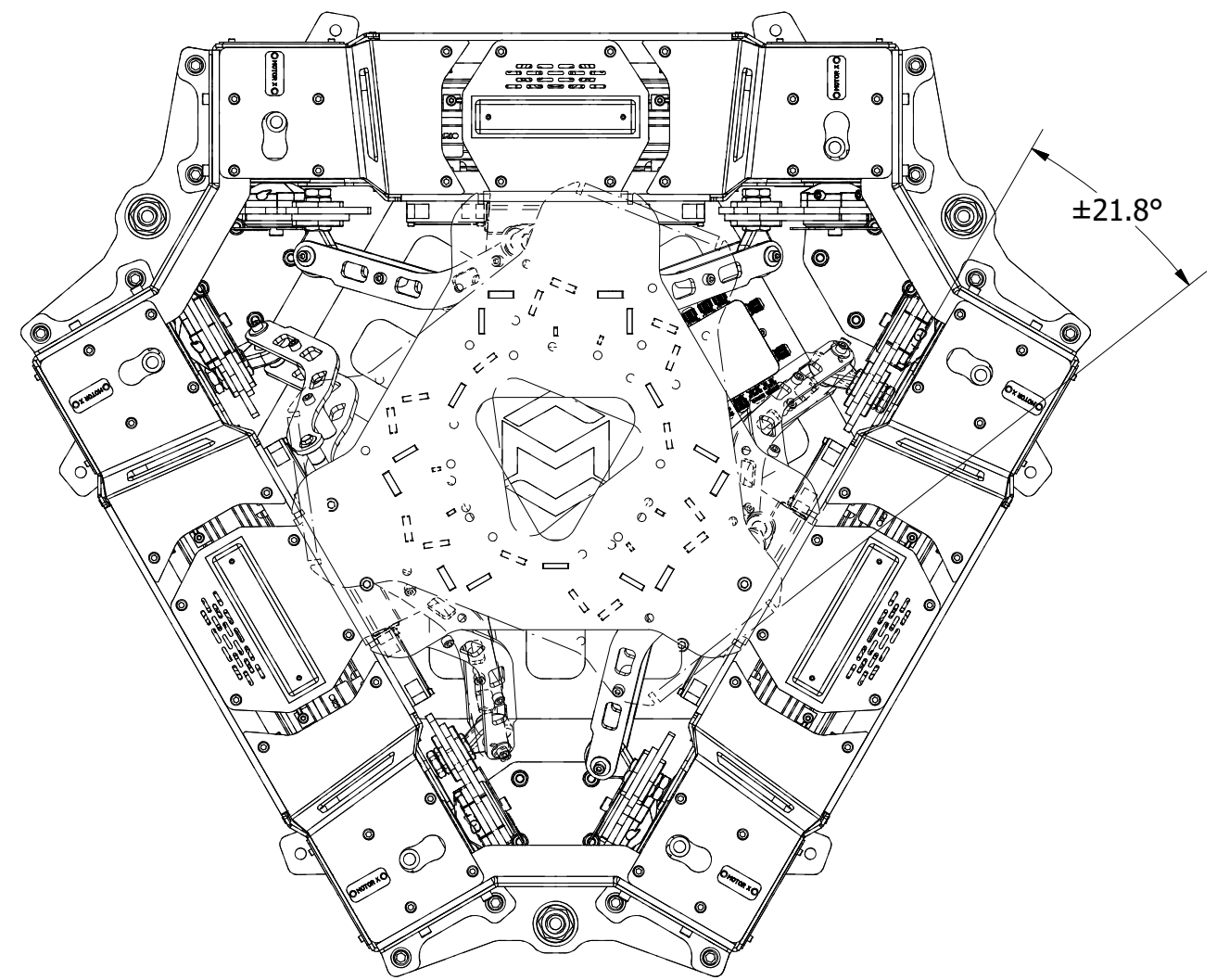
		Motion Systems ul. Duńska 13, 54-427 Wrocław, Polska www.motionSystems.eu	
TITLE <h2>Single Excursions</h2> PS-6TM-150			
@Main.iam			
SIZE A3		DWG NO PS-6TM-150_gDim	REV 6.3
SCALE 0,12 : 1	DATE 30.06.2023	SHEET 3 OF 12	

6 5 4 3 2 1

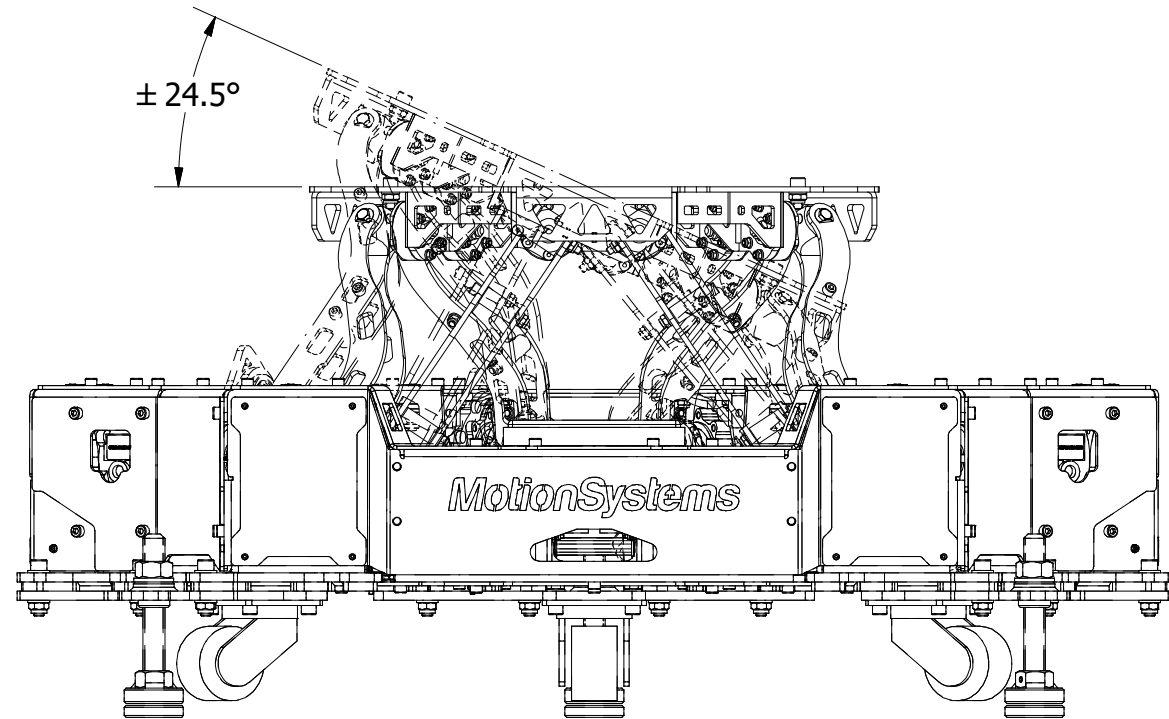
PITCH



YAW



ROLL



D

D

C

C


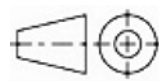
B

B

A

A

6 5 4 3 2 1

		Motion Systems ul. Duńska 13, 54-427 Wrocław, Polska www.motionSystems.eu	
TITLE		<h2>Single Excursions</h2> <h3>PS-6TM-150</h3>	
@Main.iam			
SIZE		DWG NO	REV
A3		PS-6TM-150_gDim	6.3
SCALE	0,12 : 1	DATE	30.06.2023
		SHEET 4 OF 12	

6

5

4

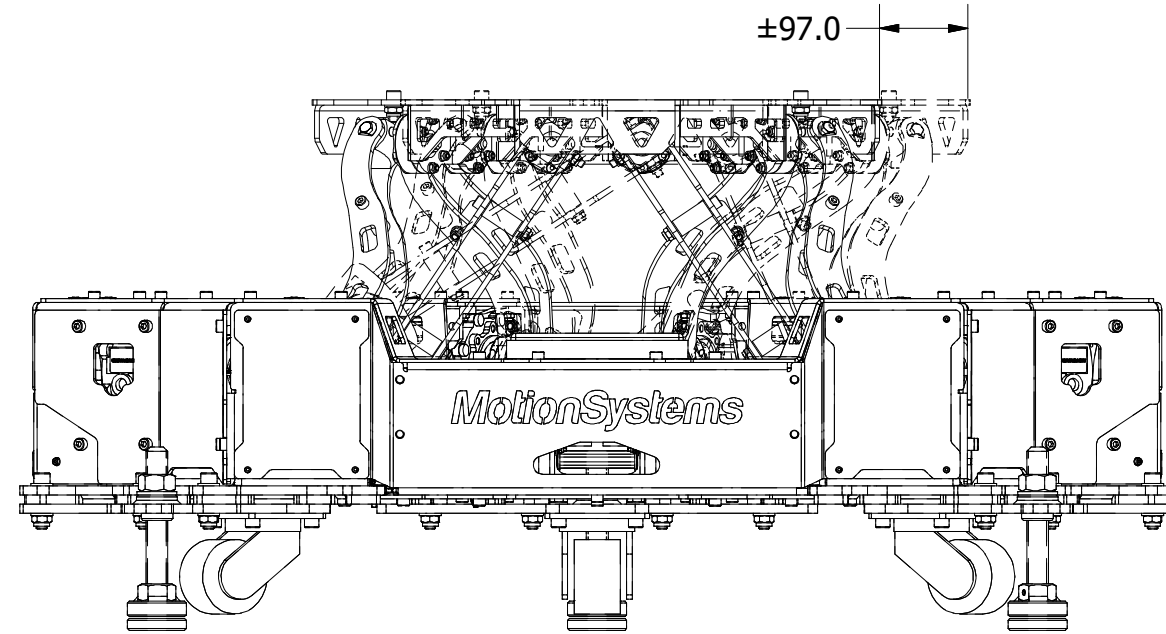
3

2

1

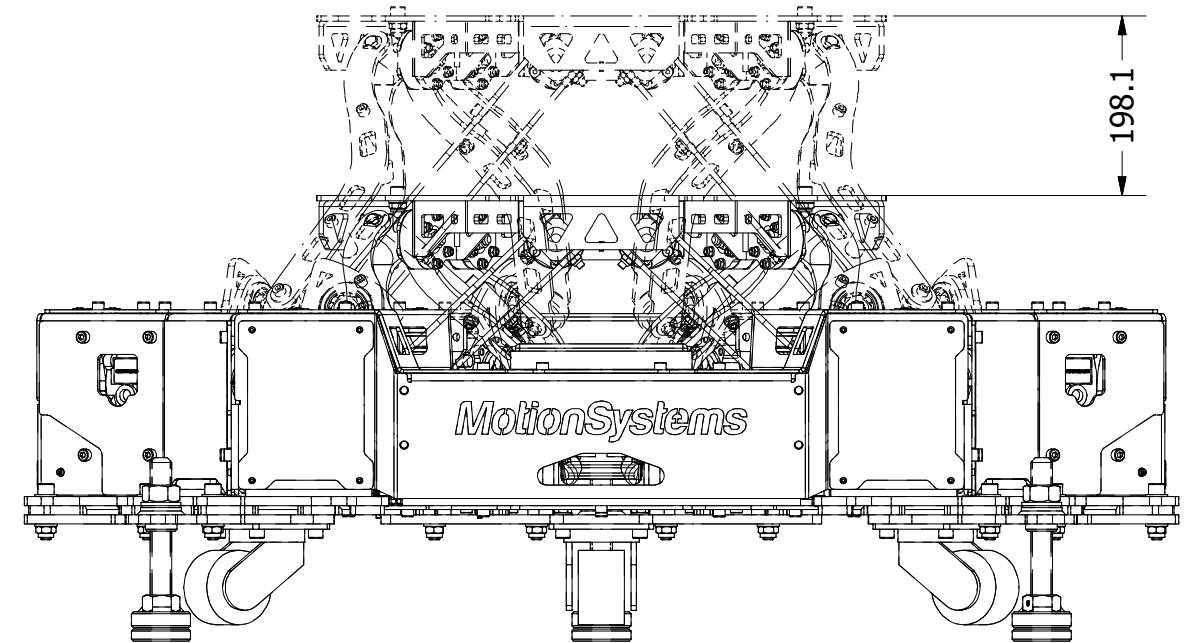
SWAY

±97.0



HEAVE

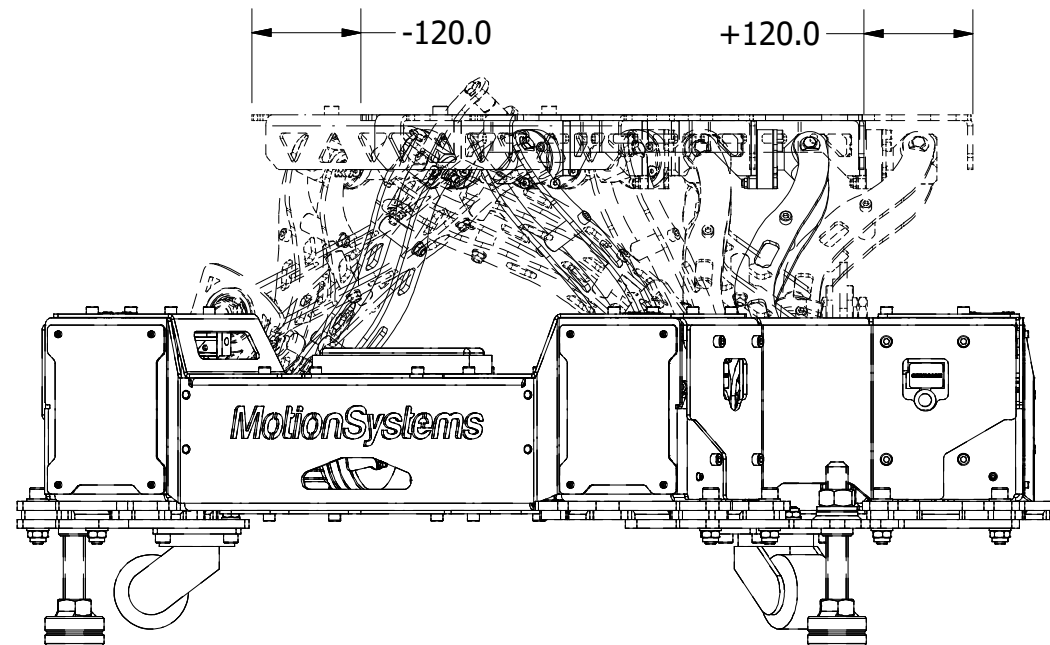
198.1



SURGE

-120.0

+120.0



Motion Systems
 ul. Duńska 13, 54-427 Wrocław, Polska
 www.motionSystems.eu

TITLE

Maximum Excursions

PS-6TM-150

@Main.iam

SIZE

A3

DWG NO

PS-6TM-150_gDim

REV

6.3

SCALE

0,12 : 1

DATE

30.06.2023

SHEET 5 OF 12

6

5

4

3

2

1

6

5

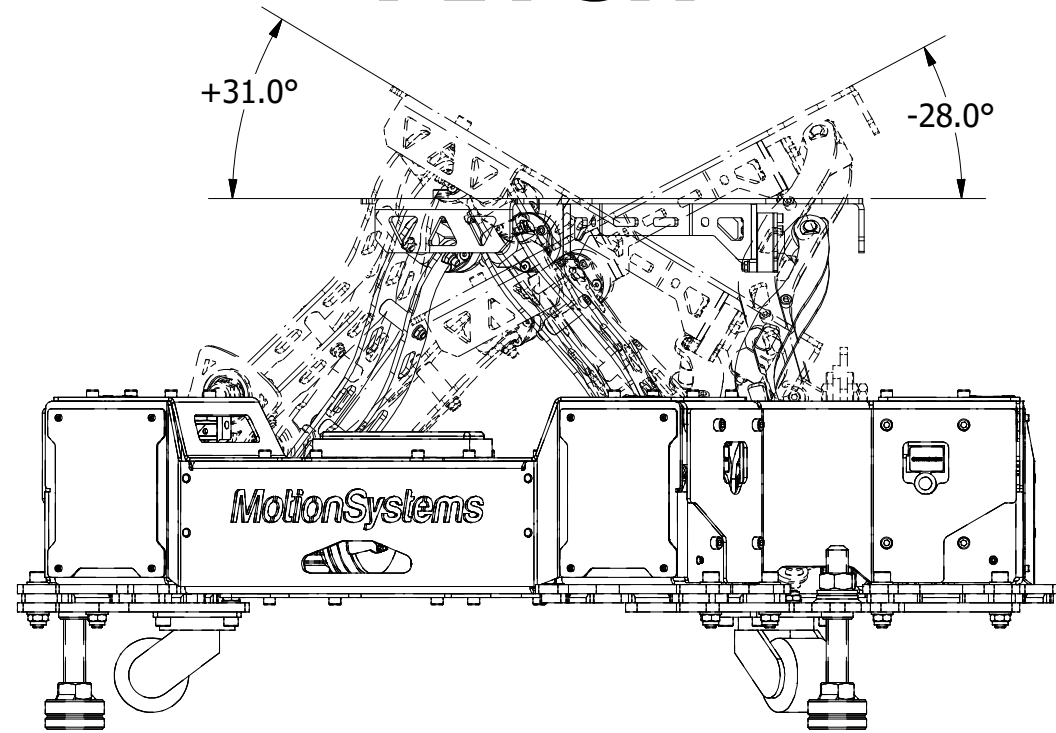
4

3

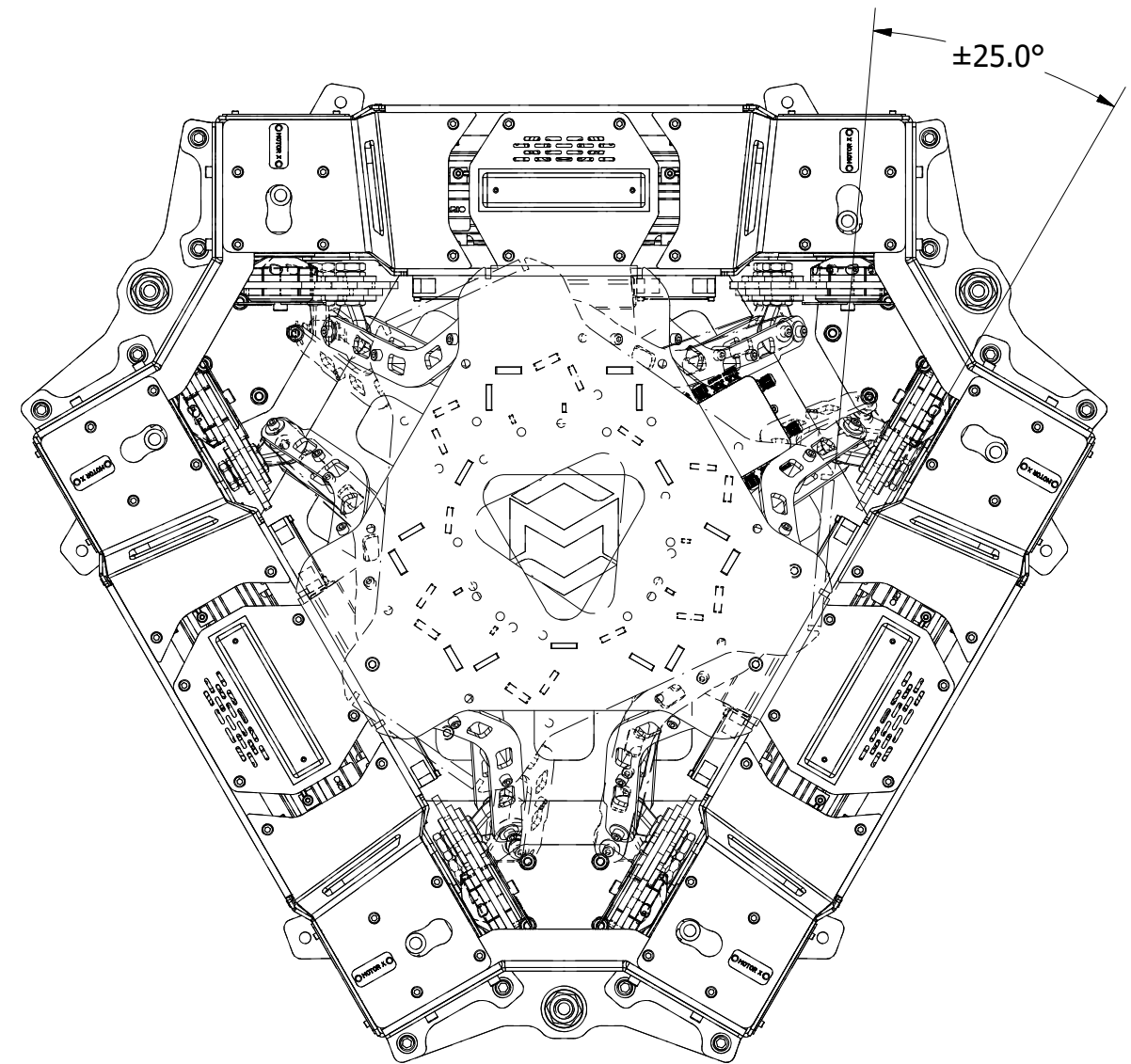
2

1

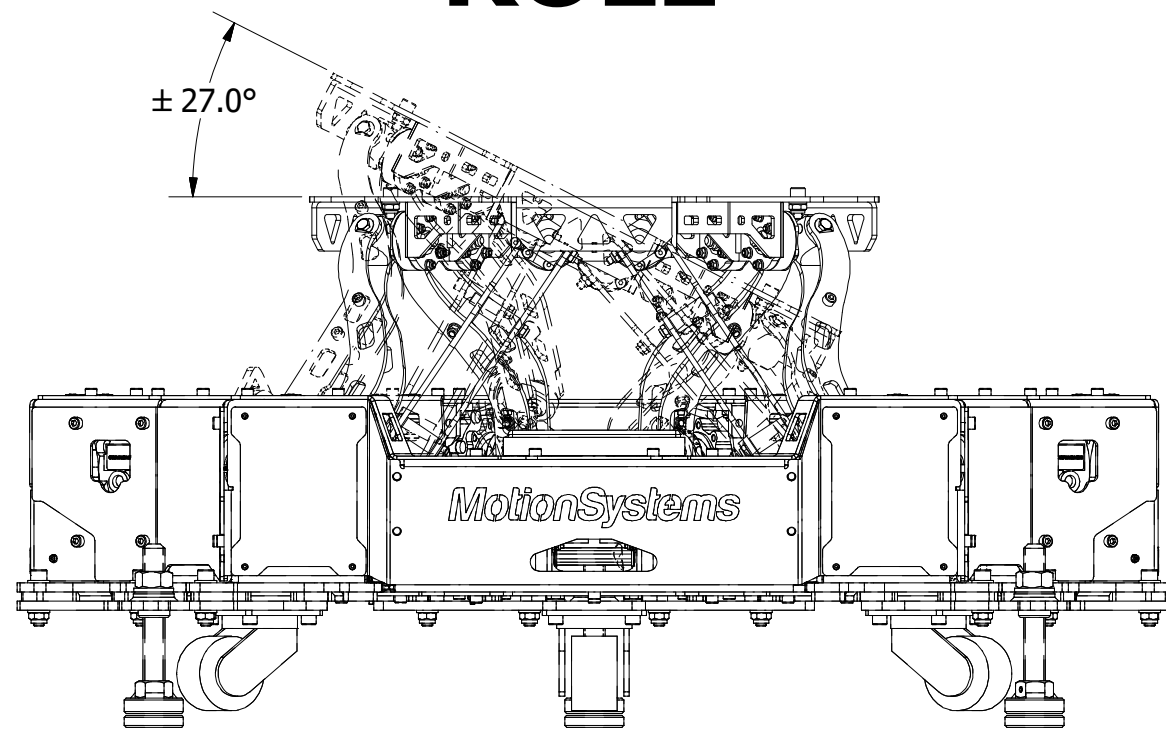
PITCH



YAW



ROLL



Motion Systems
 ul. Duńska 13, 54-427 Wrocław, Polska
 www.motionSystems.eu

TITLE

Maximum Excursions

PS-6TM-150

@Main.iam

SIZE

A3

DWG NO

PS-6TM-150_gDim

REV

6.3

SCALE

0,12 : 1

DATE

30.06.2023

SHEET 6 OF 12

6

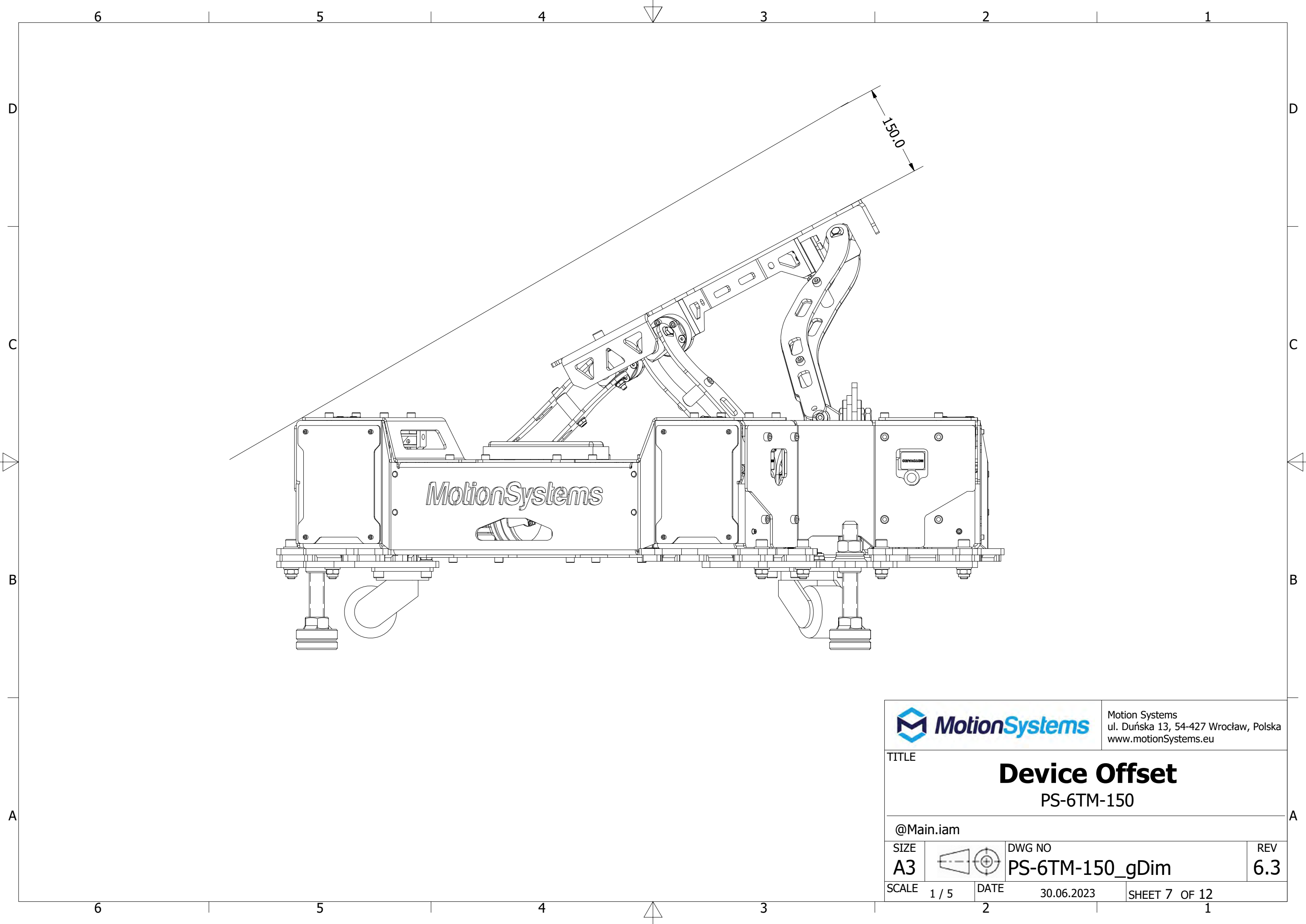
5


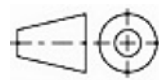
4

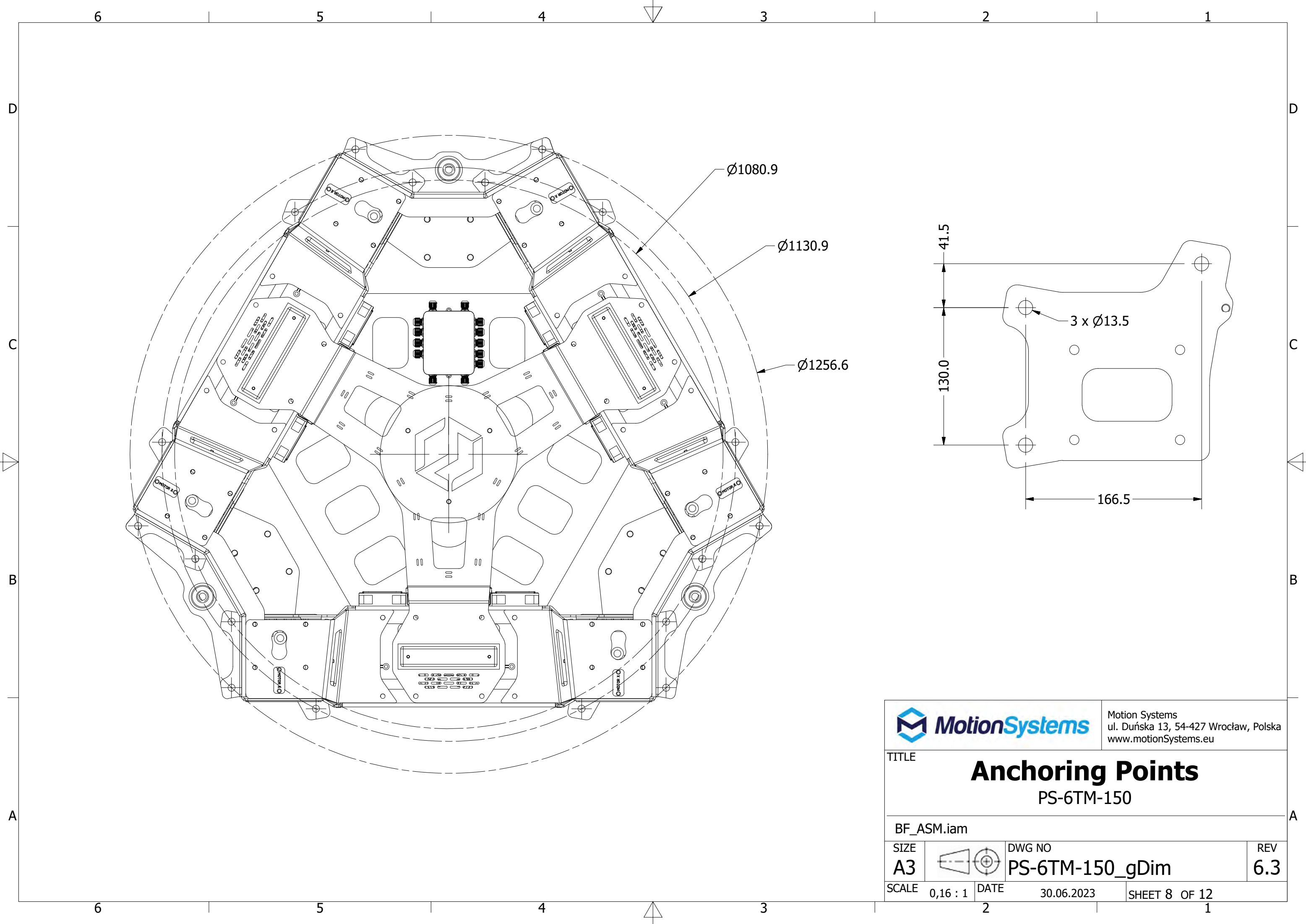
3


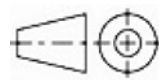
2

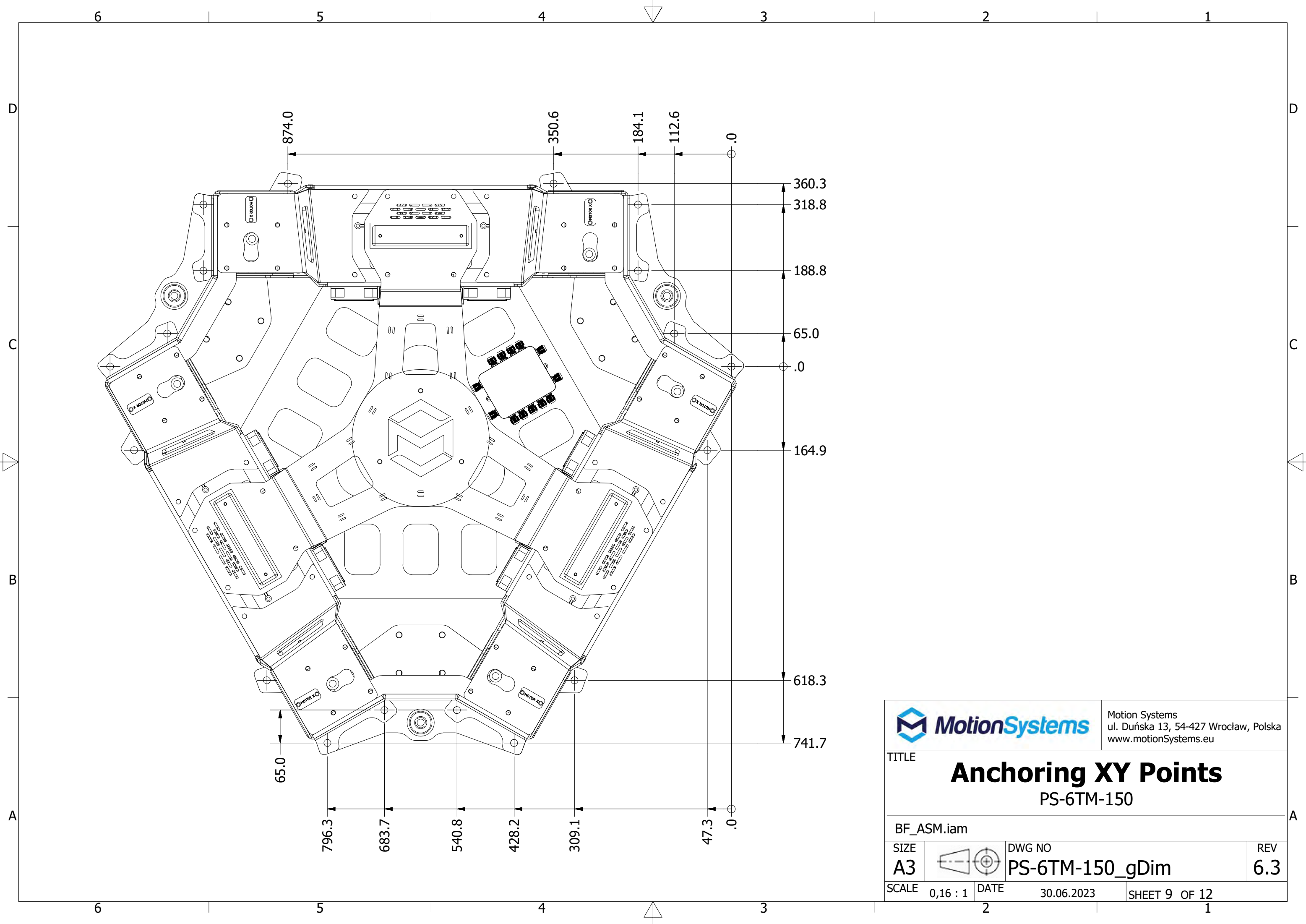
1


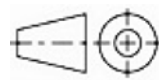


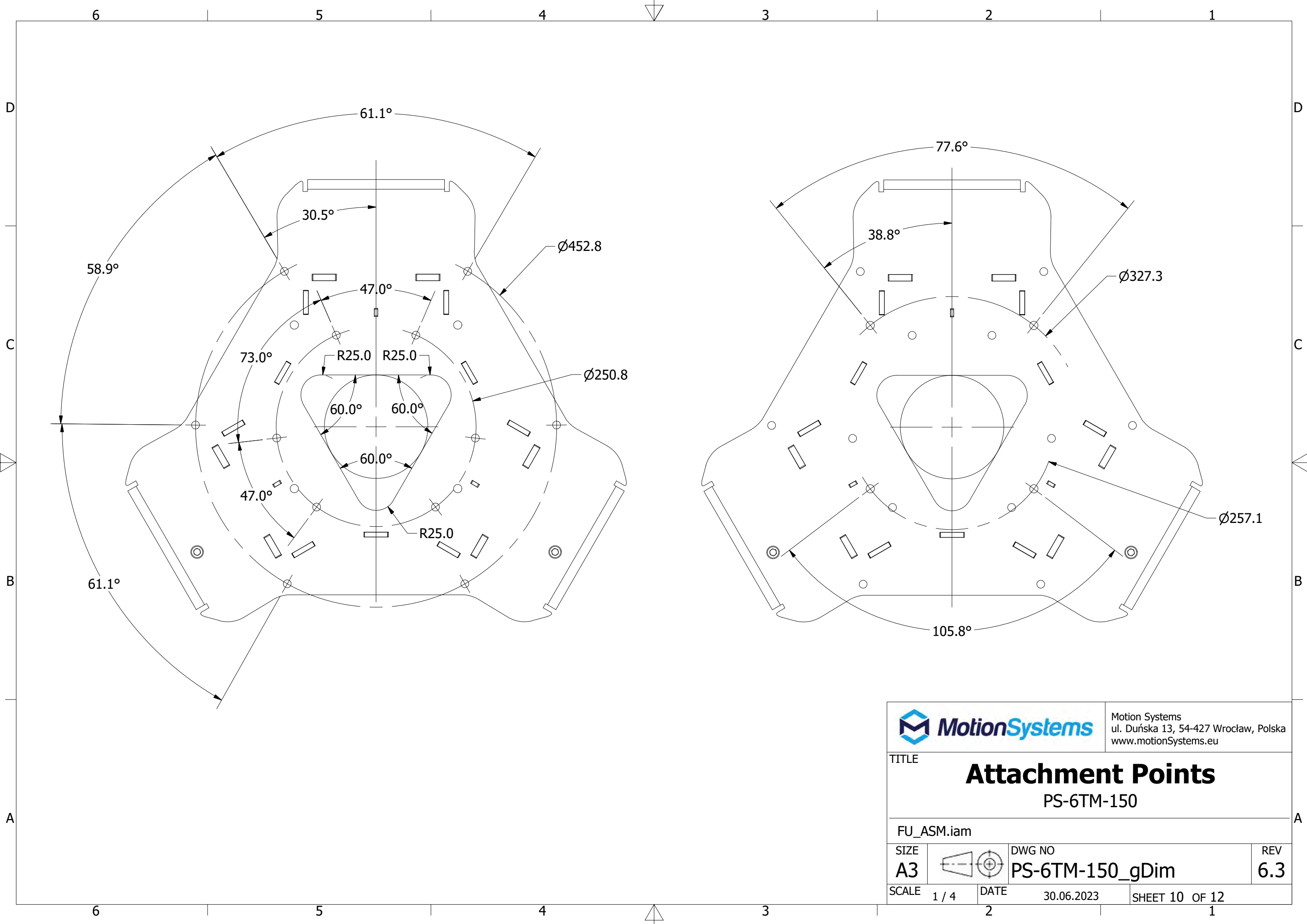
		Motion Systems ul. Duńska 13, 54-427 Wrocław, Polska www.motionSystems.eu	
TITLE		Device Offset PS-6TM-150	
@Main.iam			
SIZE		DWG NO	REV
A3		PS-6TM-150_gDim	6.3
SCALE	1 / 5	DATE	30.06.2023
		SHEET 7 OF 12	


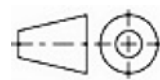


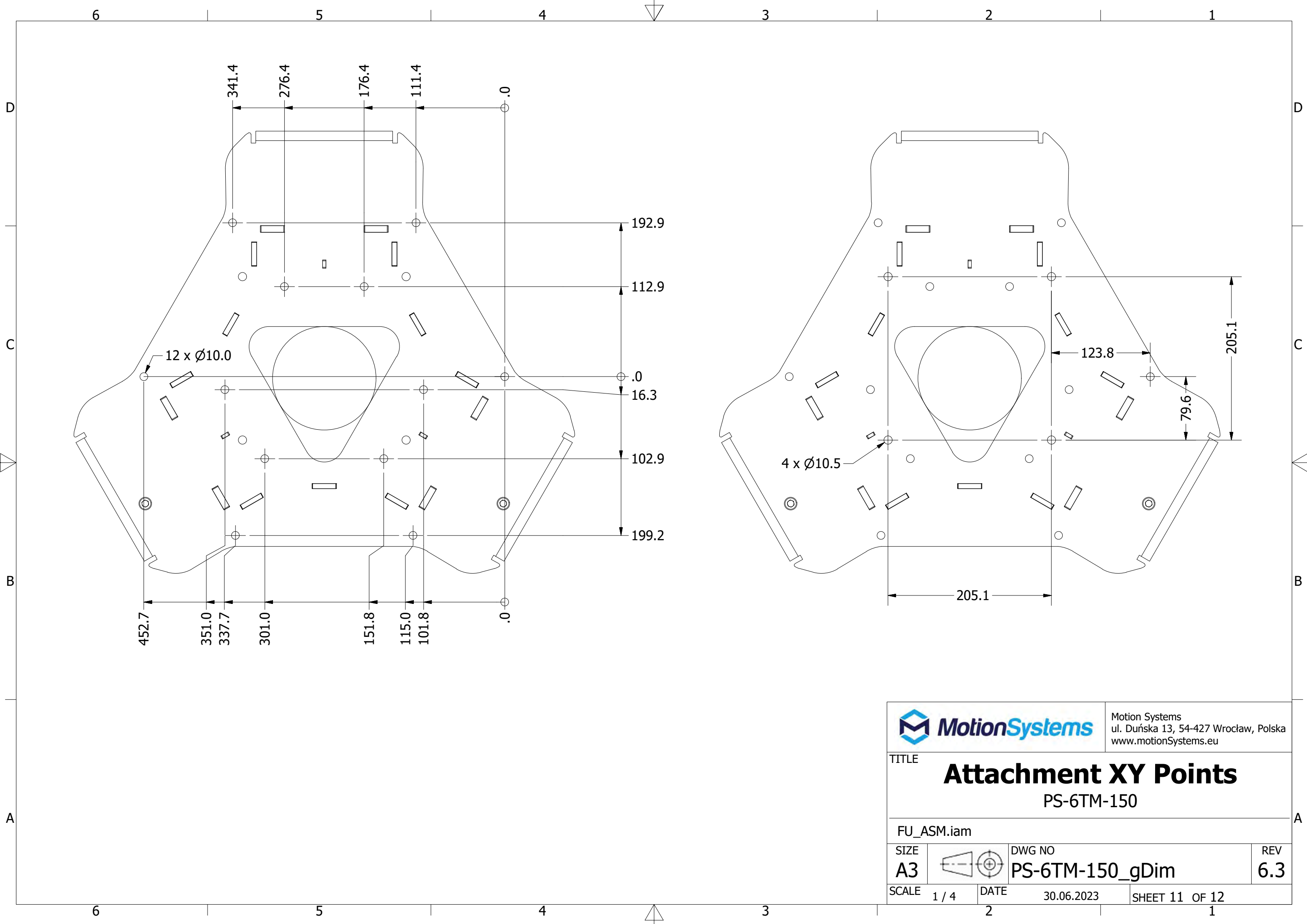
		Motion Systems ul. Duńska 13, 54-427 Wrocław, Polska www.motionSystems.eu	
TITLE <h2 style="text-align: center;">Anchoring Points</h2> <h3 style="text-align: center;">PS-6TM-150</h3>			
BF_ASM.iam			
SIZE A3		DWG NO PS-6TM-150_gDim	REV 6.3
SCALE 0,16 : 1	DATE 30.06.2023	SHEET 8 OF 12	





		Motion Systems ul. Duńska 13, 54-427 Wrocław, Polska www.motionSystems.eu	
TITLE <h2 style="text-align: center;">Anchoring XY Points</h2> <h3 style="text-align: center;">PS-6TM-150</h3>			
BF_ASM.iam			
SIZE A3		DWG NO PS-6TM-150_gDim	REV 6.3
SCALE 0,16 : 1	DATE 30.06.2023	SHEET 9 OF 12	



		Motion Systems ul. Duńska 13, 54-427 Wrocław, Polska www.motionSystems.eu	
TITLE <h2 style="text-align: center;">Attachment Points</h2> <h3 style="text-align: center;">PS-6TM-150</h3>			
FU_ASM.iam			
SIZE A3		DWG NO PS-6TM-150_gDim	REV 6.3
SCALE 1 / 4	DATE 30.06.2023	SHEET 10 OF 12	



		Motion Systems ul. Duńska 13, 54-427 Wrocław, Polska www.motionSystems.eu	
TITLE <h2 style="text-align: center;">Attachment XY Points</h2> <h3 style="text-align: center;">PS-6TM-150</h3>			
FU_ASM.iam			
SIZE A3		DWG NO PS-6TM-150_gDim	REV 6.3
SCALE 1 / 4	DATE 30.06.2023	SHEET 11 OF 12	

FRONT

MOTOR 4


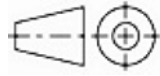
MOTOR 3

MOTOR 5

MOTOR 2

MOTOR 6

MOTOR 1

		Motion Systems ul. Duńska 13, 54-427 Wrocław, Polska www.motionSystems.eu	
TITLE			
POSITIONING			
BF_ASM.iam			
SIZE		DWG NO	REV
A3		PS-6TM-150_gDim	6.3
SCALE	0,18 : 1	DATE	30.06.2023
		SHEET 12 OF 12	